

Fig. 4-22. Functional block diagram of the Heath 10-18 oscilloscope.

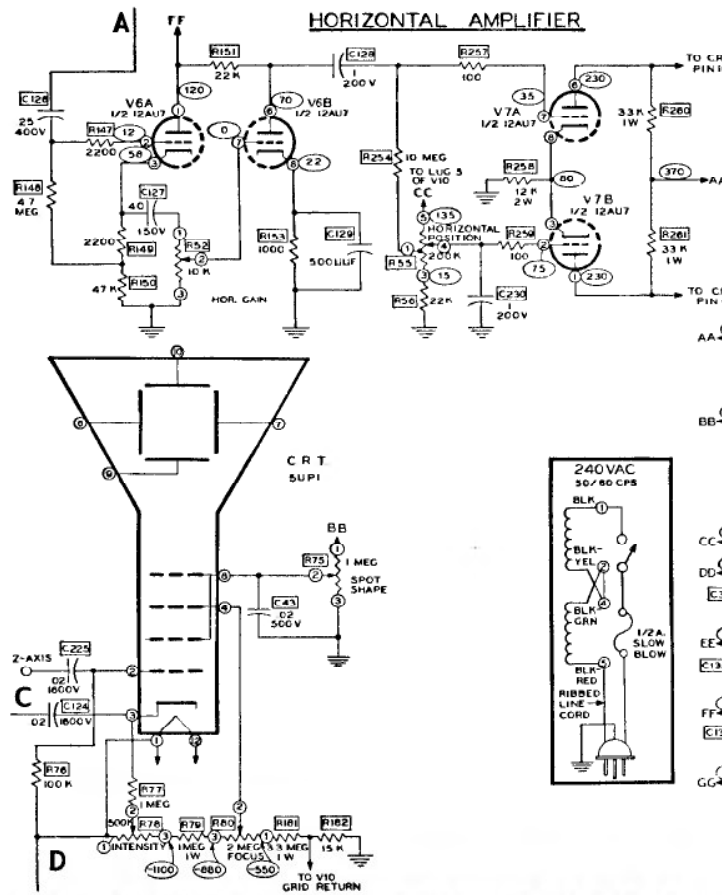


Fig. 4-23. Schematic of the Heath IO-18 oscilloscope

